

Transanal Decompression Drainage Tube

MIT Drain



CREATE MEDIC CO.,LTD.

What is MIT Drain ?

It is a dedicated drain tube to improve the patient's quality of life, which was developed to decompress the intestinal tract to protect the anastomosis after rectal cancer surgery.

Postoperative anastomotic failure in rectal cancer surgery

8.7%

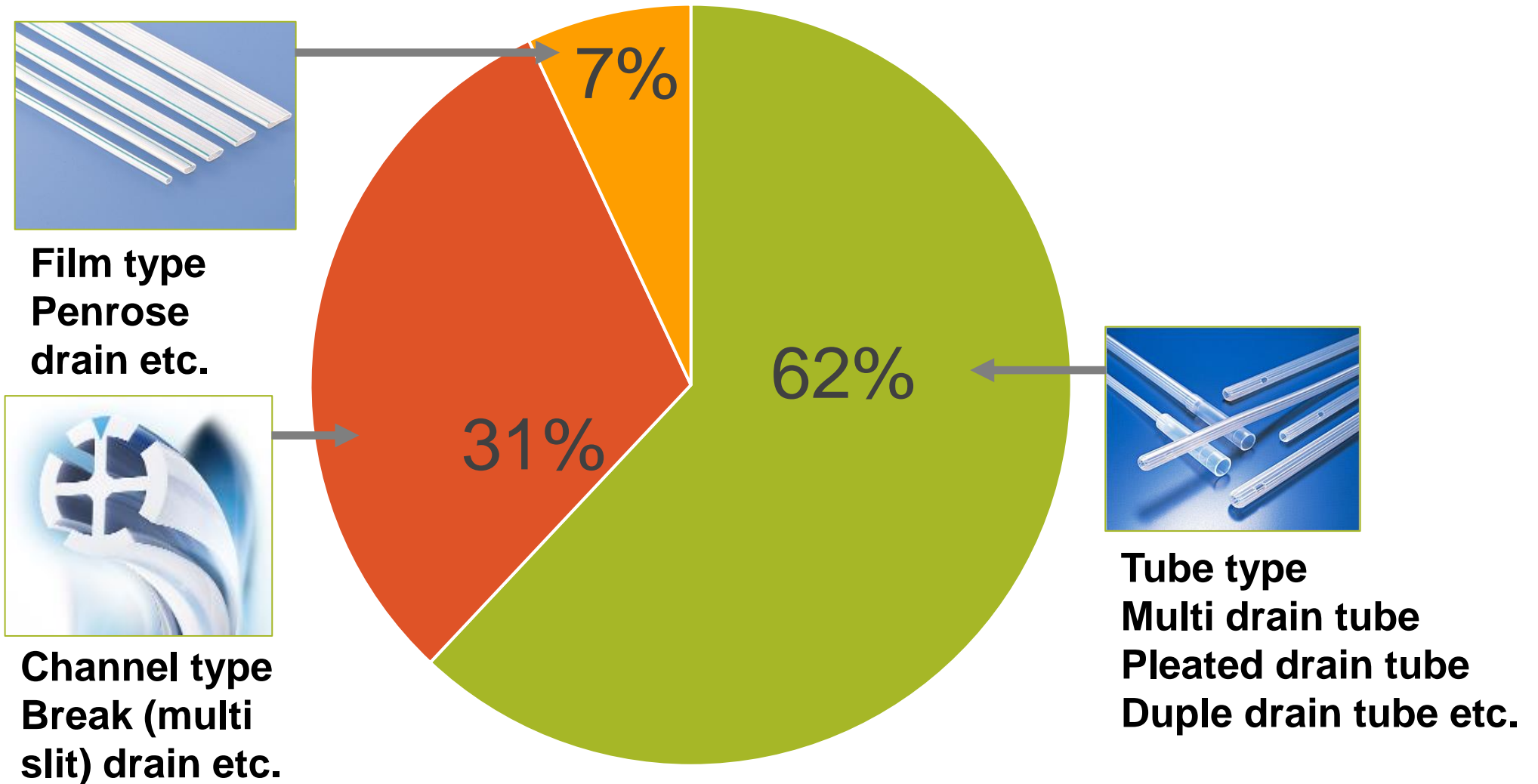
(From a survey of 299 facilities by the Society for Surgical Therapy of Colorectal Diseases)

9.8% ~ 15.8%

(Various literature reports)

The product has been used so far are

(From a survey of 299 facilities by the Society for Surgical Therapy of Colorectal Diseases)



Features and advantages

① Reliable decompression effect



The design is based on the "Multi drain" that has been used for transanal drainage.

Side holes are appropriately sized and positioned to prevent clogging due to soft feces, and the structure that creates a capillary effect ensures reliable decompression.

Features and advantages

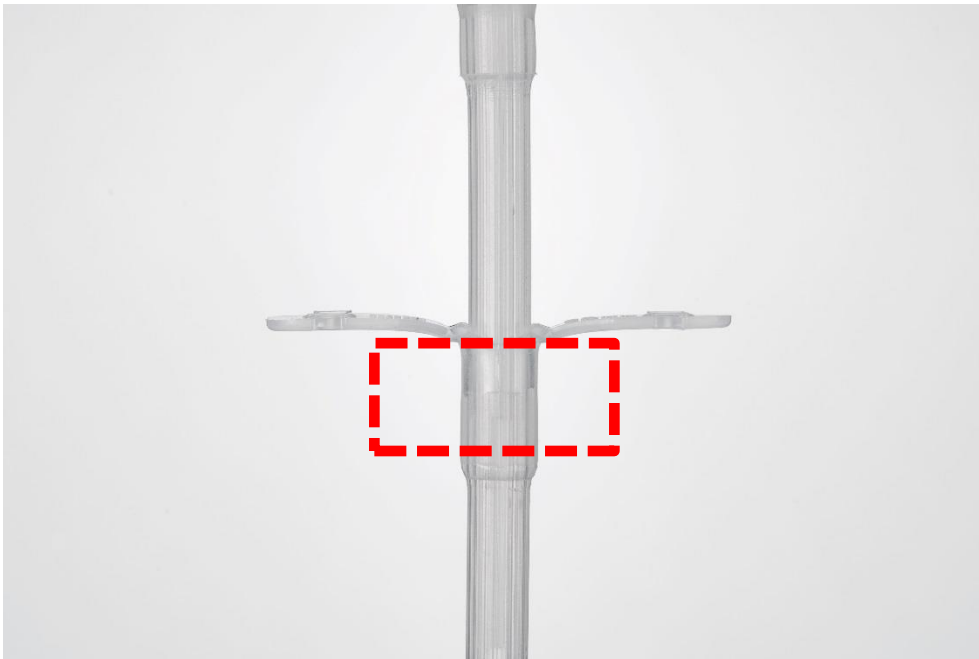
② QOL improvement: Secure fixation



The fixing plate wing is used for suture fixation around the anus. The wing of the fixing plate has a groove and a hole for fixation to prevent the suture from shifting, thus realizing secure suture fixation.

Features and advantages

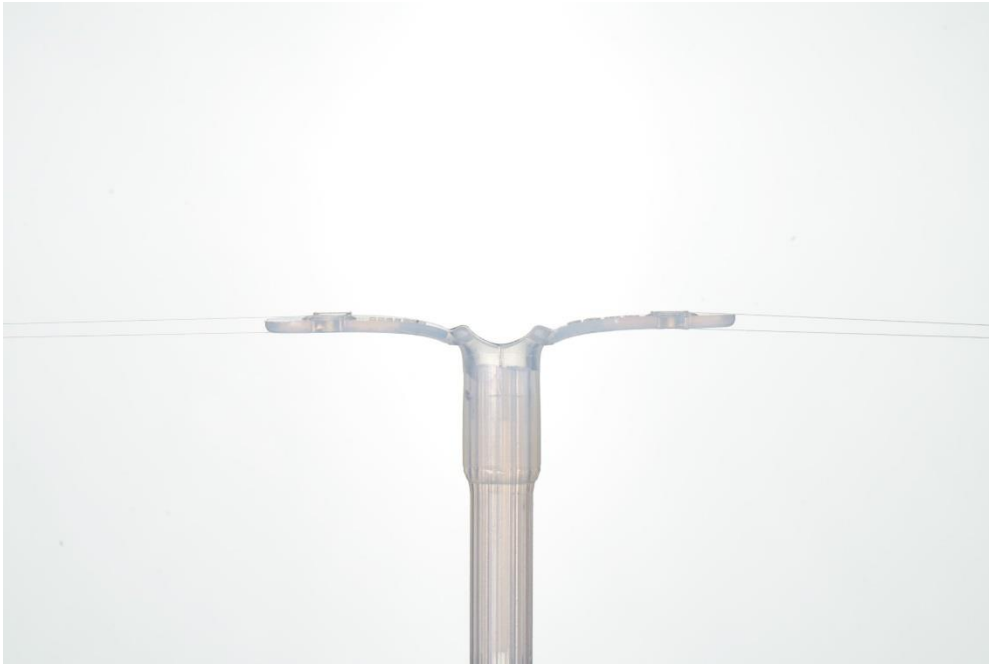
③ QOL improvement: Kink prevention



To accommodate the tightening of the anal sphincter, a thicker fixing plate reinforcement part located at the anal verge reduces the risk of kinking.

Features and advantages

④ QOL improvement: Around the patient's hips

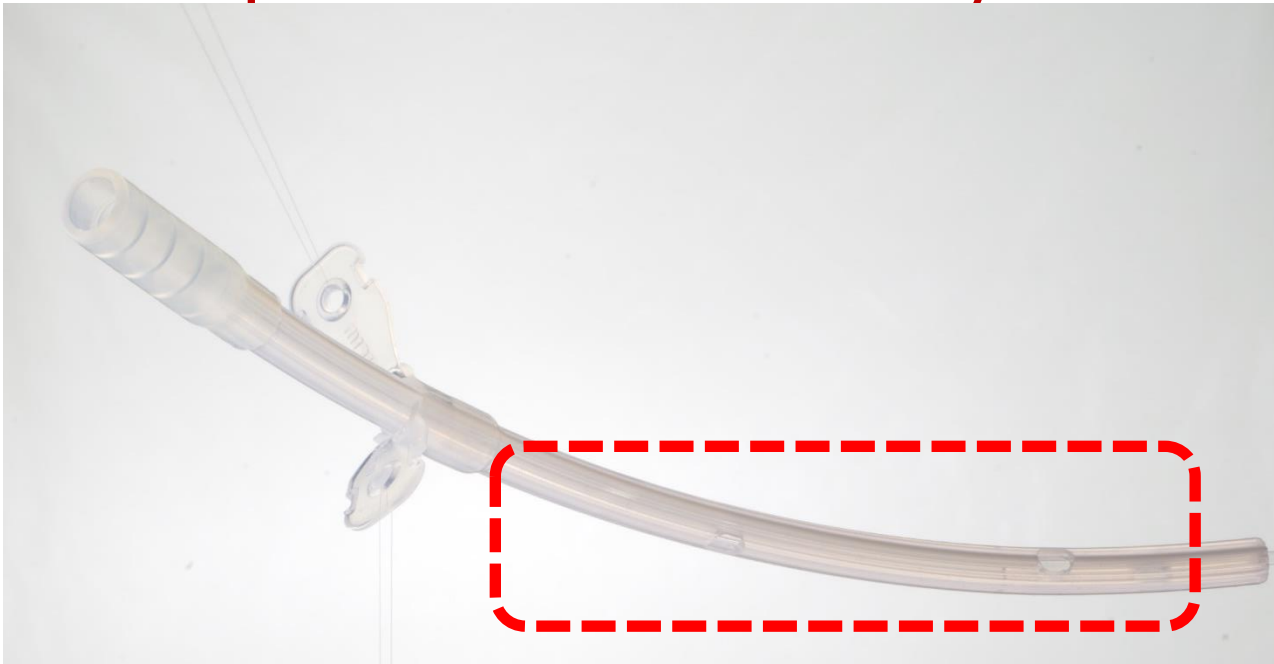


When used without connecting to a bag, the tube does not protrude beyond the fixing plate by flapping the fixing plate and then cutting it off.

This allows the patient to assume a comfortable position.

Features and advantages

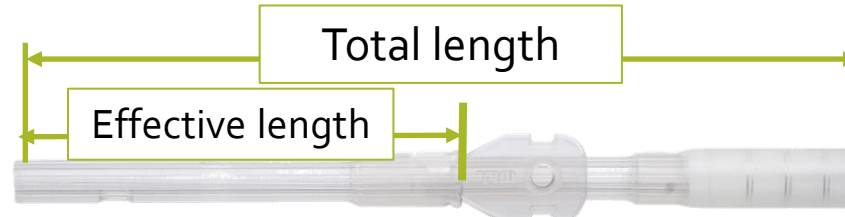


⑤ Improved insertability



The tube shaft has a moderate curve to improve insertion.

Specification

● Size:24Fr, O.D.-8.0mm for all lengths and both types

	Effective length	Total length	Side hole	Shape
	80mm	155mm	2	Straight
	120mm	195mm	3	Curve
	170mm	245mm	4	Curve

● Select the length where the tip of the tube passes through the anastomotic part.

Selection of Management Method

Drainage bag connection	○ (Advantage)	× (Disadvantage)
NO	No movement restrictions or discomfort after leaving the bed.	Must catch soft or soluble stools with pads, etc.
YES	The bag can catch soft or soluble stools.	There is a risk of clogging at the tube part. Movement restrictions or discomfort after leaving the bed.

Bag selection



When connected to a "small capacity bag" or a "bag without a filter," there is a risk that the bag is filled with gas.



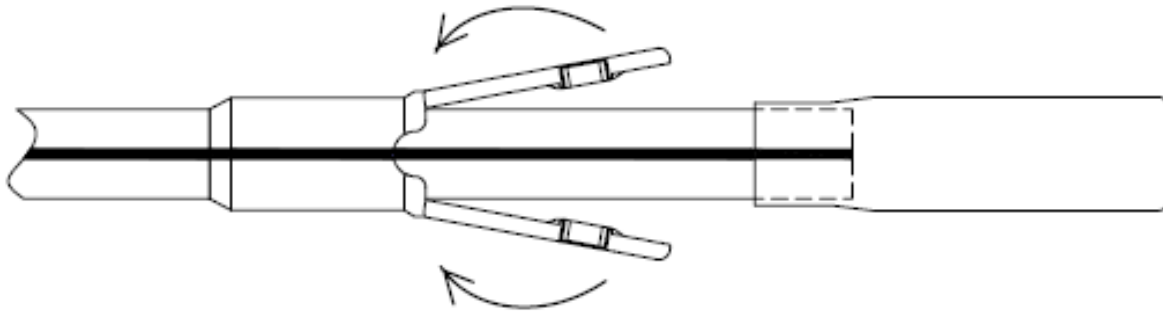
Recommend to use CLINY Urine Bag

Capacity : 2,000ml or 2,500ml
With filter

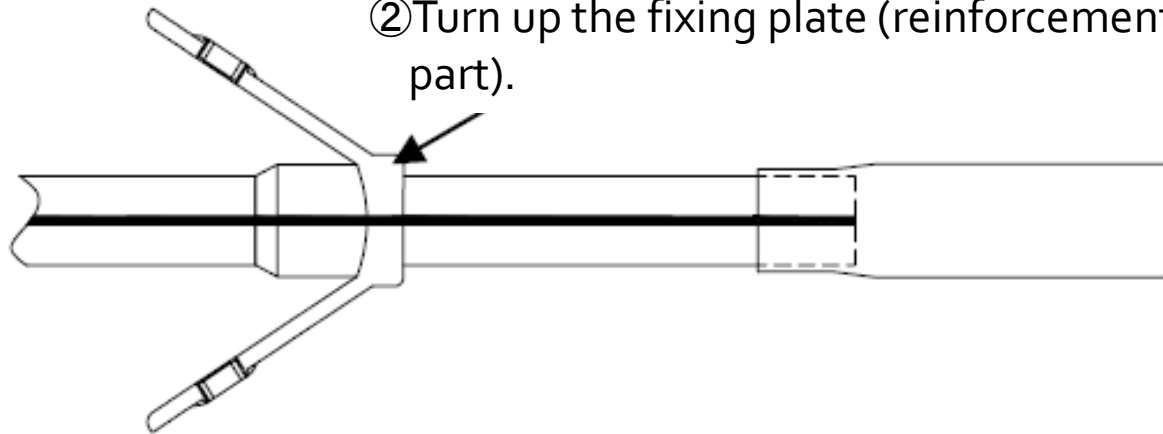
Insertion method

In the case of use without a drainage bag, etc.

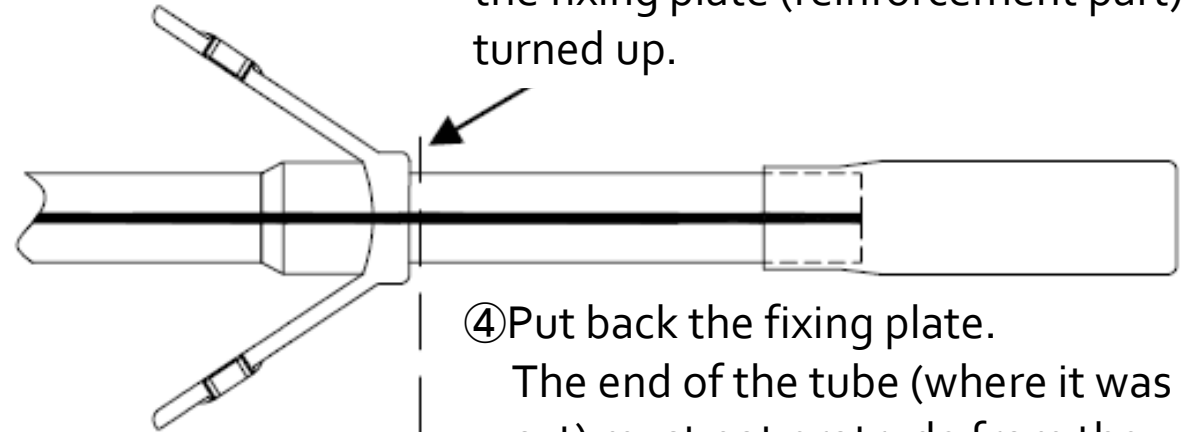
① Turn up the fixing plate (wing part).



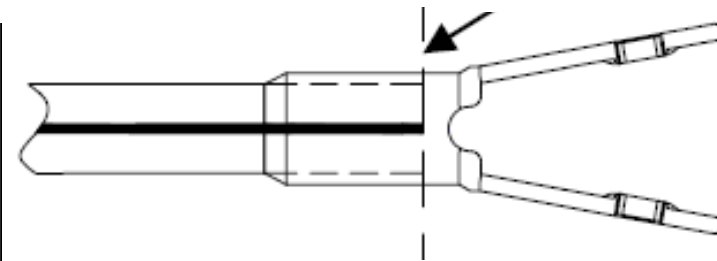
② Turn up the fixing plate (reinforcement part).



③ Cut the tube vertically at a position close to the turned up part, while the fixing plate (reinforcement part) turned up.

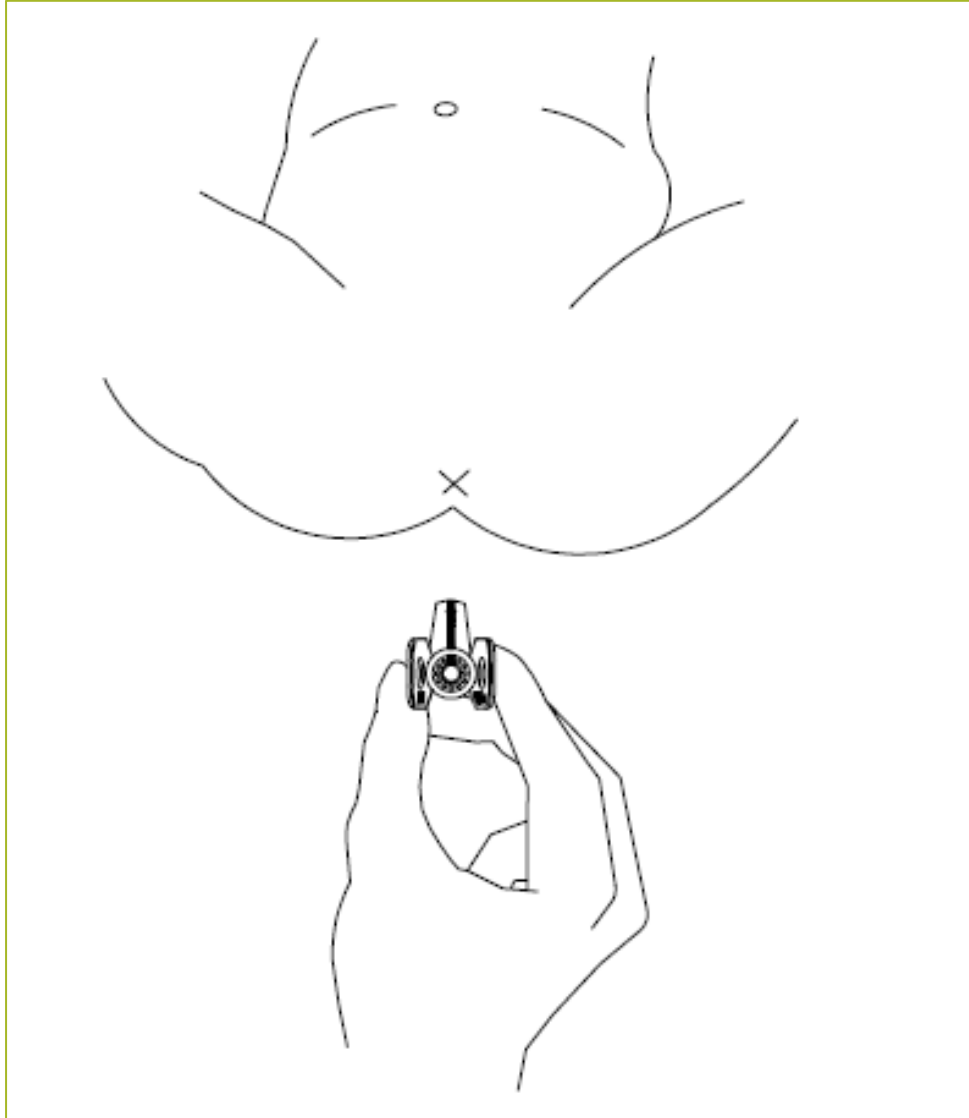


④ Put back the fixing plate.
The end of the tube (where it was cut) must not protrude from the fixing plate.



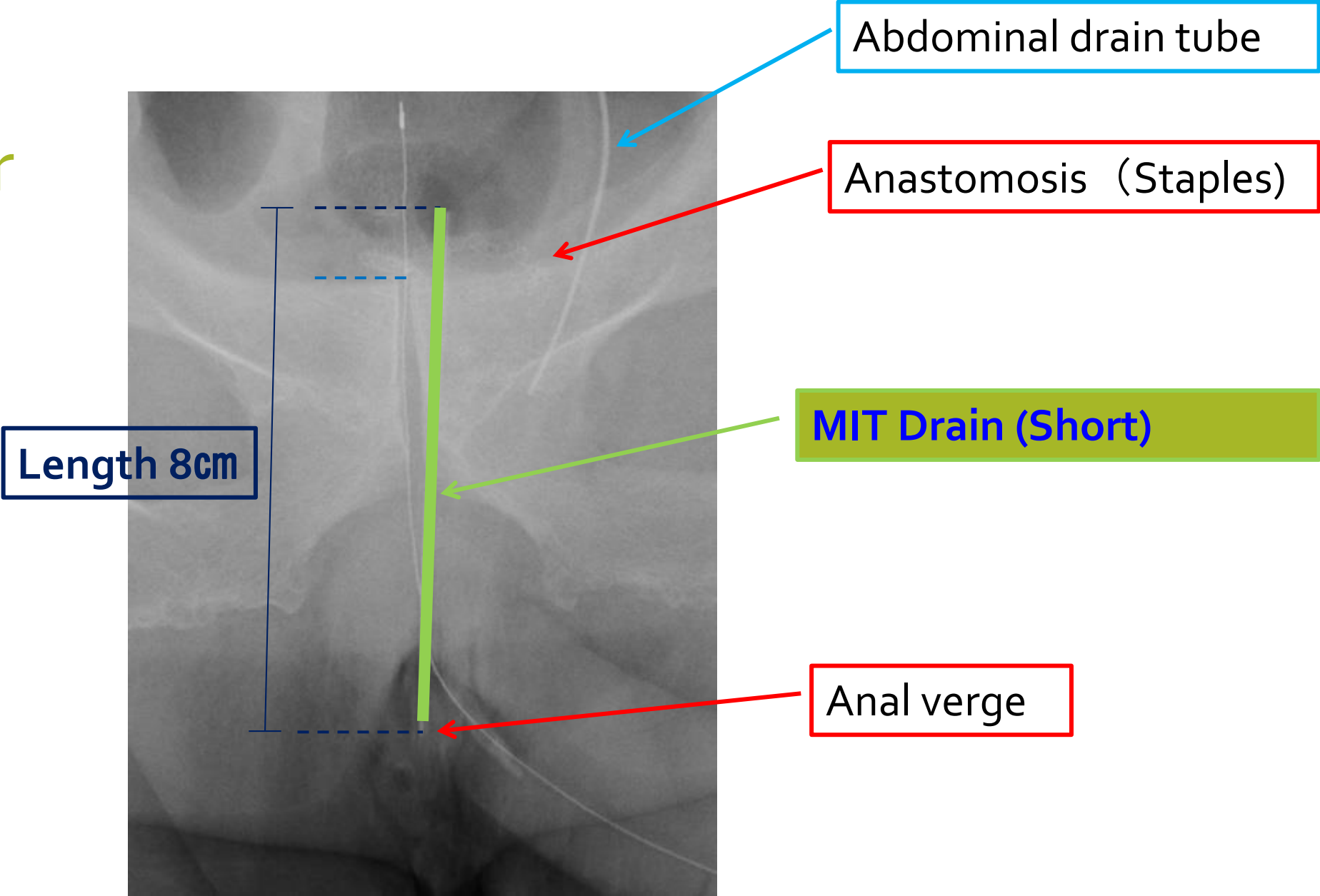
Insertion method **In the case of use with a drainage bag, etc.**

1. Apply lubricating jelly, etc. to the intestinal insertion site of the product as needed.



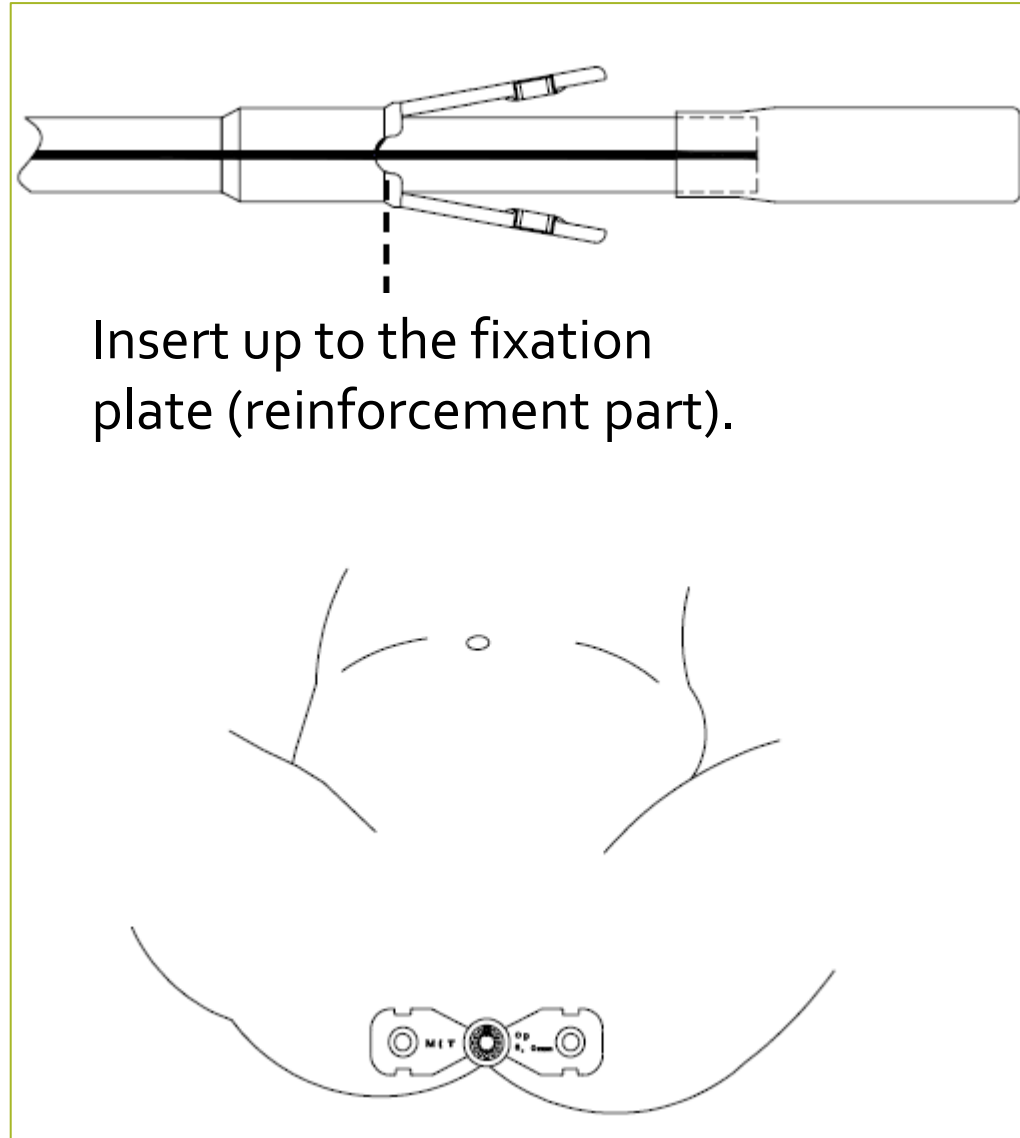
2. Insert the product in the anus.

Insertion check under X-ray



Fixing method

Once inserted up to the fixing plate (reinforcement part), thread a suture through the fixation hole of the fixing plate (wing part) and fix both plates to the buttocks with the suture. Depending on the situation, an adhesive bandage or surgical tape, etc. may be used to secure the device in place.



After inserting up to the reinforcement part of the fixing plate, spread the wing part and check that MIT logo is marked on the left side wing and the size is marked on the right side wing. In this state, fix the plate to the buttocks.

Condition of the product placed in the anus





Thank you very much.